

LA-1030+LA-18SUB

Professional Active Line Array Speaker System



Description

This professional active line array system adopts a 10" neodymium magnetic woofer and two 1.75" neodymium magnetic tweeter for the two-way speaker, and adopts a 18" neodymium magnetic woofer for the active subwoofer. The subwoofer has a built-in three-channel amplifier module and a high-performance two-in-three-out DSP digital audio signal processor. The system provides outstanding audio performance with wide coverage and uniform sound field. It is portable, plug-and-play, easy-to-operate, with extensive applications.

Features

LA-1030 Active Line Array Speaker

- Designed with a compact two-way speaker box and top-notch customized speaker units.
- Integrate a 10" neodymium magnetic woofer and two 1.75" voice coil high-frequency compression drivers.
- With a sophisticated 10" low-frequency driver for enhanced low and mid-range audio.
- Elaborately designed with a phase plug to double upper operating frequency of LA-1030 vertical array line audio source.
- Combine multiple speakers LA-1030 into a vertical line array for increased mid-range efficiency and

improved frequency response.

- Utilize tailor-made equal-path planar acoustic wave guide tubes to provide smooth high-frequency effects, maintaining a wide coverage angle and inherent acoustic symmetry properties.

LA-18SUB Active Subwoofer

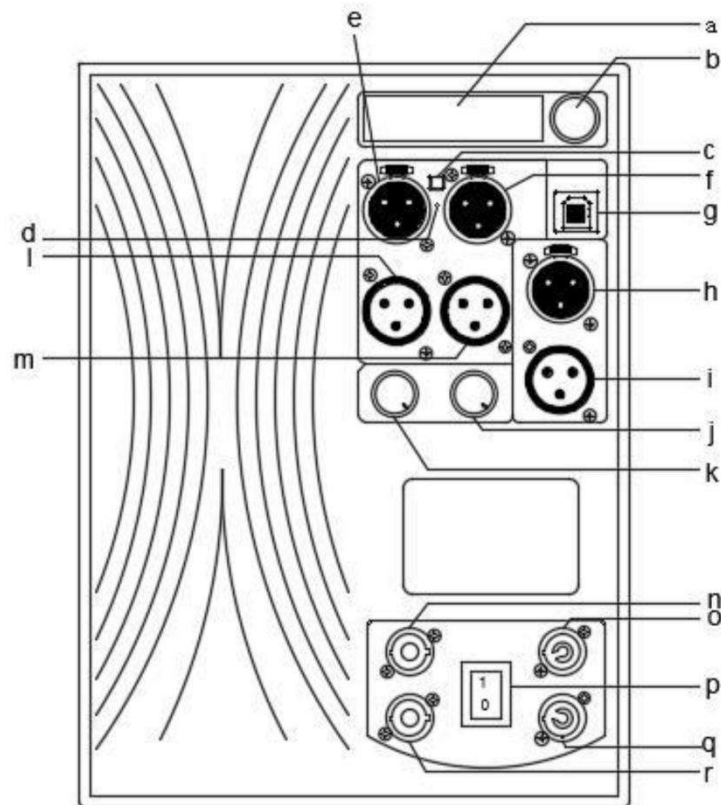
- The LA-18SUB active subwoofer has a built-in three-channel amplifier module with a high-performance digital signal processing system. The two full-range channels drive the two speakers LA-1030 in the system, while the remaining channel powers the subwoofer LA-18SUB with two balanced line inputs, one signal output port, one power input, and one power output port, fully meeting the usage requirements and facilitating system expansion.
- Paired with a high-performance two-in-three-out DSP digital audio signal processor, various scene parameters can be set for different application requirements and different number of speakers.
- It can be set up through the control software and retrieved with quick keys, greatly simplifying the system setup process. The full-range channels and low-frequency channel can be adjusted independently for optimal effect in a very short time.
- It employs an efficient Class D power amplification circuit design for the amplifier module used in the LA-18SUB, incorporates a patented L-shaped heat dissipation design, and combines a one-piece cast aluminum backplane with heat dissipation function, thus resulting in high energy conversion efficiency with an output power of up to 450W+450W+1500W, while maintaining compact size and stable performance.
- With a rich accessory kit, including height-adjustable support rods, speaker connecting cables, and power cords for quick and easy system connection and use.
- The LA-18SUB performance set is designed with advanced system, selected world-class speaker unit, DSP and supporting amplifier module for optimized system parameters, providing outstanding performance in sound quality, power handling, projection angle and distance, system stability and durability.
- While ensuring optimal performance, it has been meticulously designed to accommodate various installation and use methods, delivering ease of transportation, installation, setup, expansion, and configuration. This versatility makes it well-suited for a wide range of small and medium-sized performance needs.
- Applications: It is suitable for various small and medium-sized performance occasions such as weddings, exhibitions, and road shows, as well as small and medium-sized theaters, bars, auditoriums, conference centers, convention and exhibition centers, and multi-function halls for fixed installation.

Specifications

Model	LA-1030
Unit Component	Neodymium magnetic woofer 10" (250mm)×1, Neodymium magnetic tweeter 1.75" (44mm)×2
Frequency Response (±3dB)	80Hz~18kHz
Speaker Coverage	Horizontal 100°× Vertical 10°
Sensitivity (1m/1W)	LF: 97dB, HF: 109dB
MAX. SPL.	LF: 123dB (continuous) / 129dB (peak), HF: 129dB (continuous) / 135dB (peak)
Rated Power (AES)	400W (LF: 300W, HF: 100W)
Maximum Power (PEAK)	LF: 1200W, HF: 400W
Standard Impedance	LF: 8Ω, HF: 8Ω
Product Dimensions (H×W×D mm)	274×530×312
Net Weight	19.6kg

Model	LA-18SUB
Unit Component	Neodymium magnetic woofer 18" (460mm)×1
Frequency Response (±3dB)	38Hz~300Hz
MAX. SPL.	133dB (peak)
Amplifier Module	2-in 3-out DSP processor, class-D digital amplifier
Amplifier Channel/Power	3 channels, 2×450W/8Ω+1500W/8Ω
Subwoofer Power	700W
THD	<0.1%
Input Sensitivity (1m/1W)	1.4V
Input/Output	XLR (balanced)
Power Supply	AC110V~250V, 50Hz/60Hz
Product Dimensions (H×W×D mm)	610×530×703
Net Weight	47.5kg

Amplifier Module

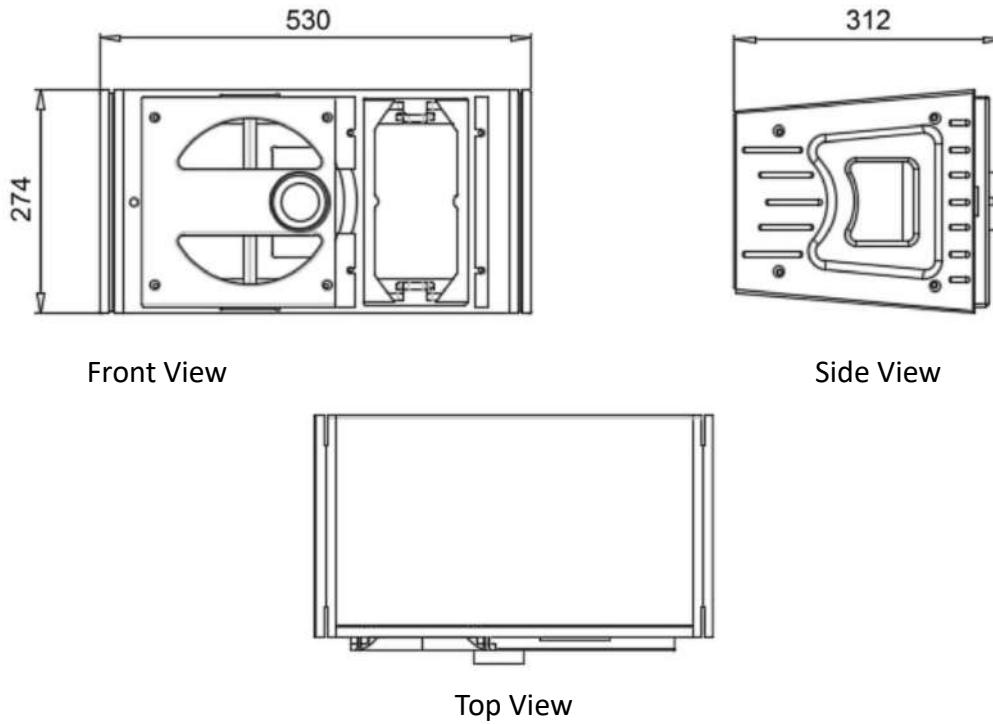


- a. Display Screen
- b. Menu Button
- c. Select Button (Press the button for mono, otherwise it is stereo)
- d. Indicator
- e. Signal Input A
- f. Signal Input B
- g. USB Port (connected to PC)
- h. RS485 Input
- i. RS485 Connector
- j. Full-Range Volume Knob
- k. Bass Volume Knob
- l. Output Connector

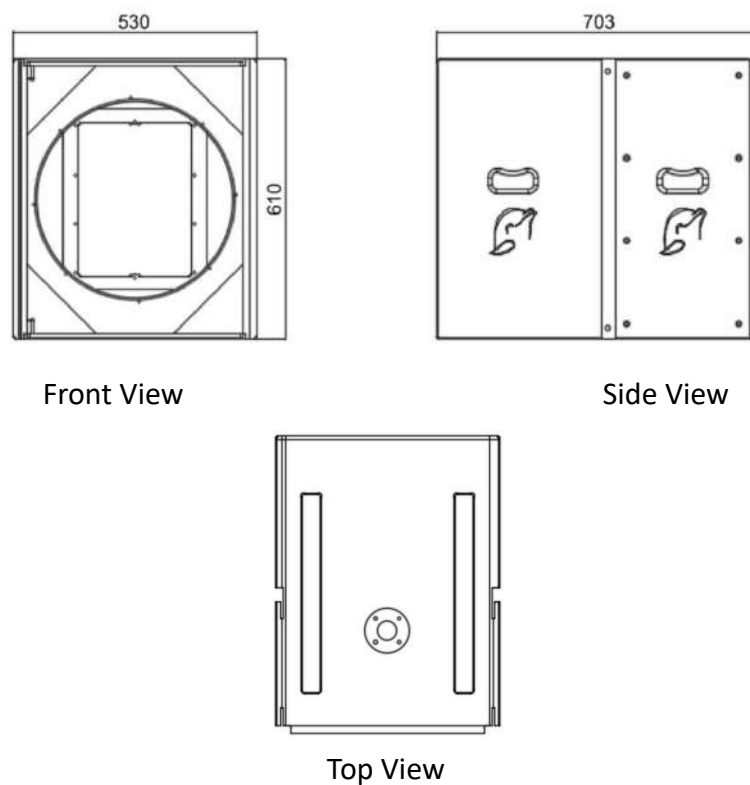
- m. Output Connector
- n. Full-Range Output Connector
- o. Bass Output Connector
- p. Power Button
- q. Power Output
- r. Power Input

Product Structure

LA-1030 Structure Diagram



LA-18SUB Structure Diagram



Connection Diagram

