

D7141 D7142

Embedded Speaking and Voting Chairman/Delegate Unit



D7141

Embedded Speaking & Voting Chairman Unit



D7142

Embedded Speaking & Voting Delegate Unit

Description

The conference unit is an electret cardioid directional condenser pickup microphone, with speaking and voting functions. It is designed with exquisite embedded structure and a removable microphone rod. The chairman unit has the priority function and authority to approve the application for speaking from the delegate unit.

Features

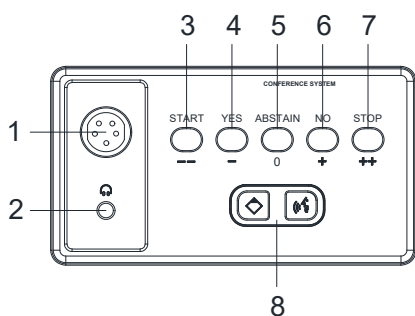
- Exquisite embedded structure design, removable microphone rod, easy to use.
- A speaking conference unit integrating speaking and voting functions.
- With 2m dedicated high-density cable, and 1 RJ45 universal network connector.
- Electret cardioid directional condenser pickup microphone, with two-color indicator ring (red/green), red for speaking, green for applying for speaking.
- The standard aluminum alloy integrated square microphone rod is available in 186mm. Other options: gooseneck microphone rod, oval microphone rod, square microphone rod with analog backup, square microphone rod with dual mics and square microphone rod with analog backup and dual mics.
- The microphone rod can be dismantled in the absence of a meeting for easy maintenance and preservation.
- With a 3.5mm stereo headphone jack to connect headphones.
- With super strong anti-interference capability against mobile phones.
- With 1 microphone on/off button and 5 voting buttons. The chairman unit enjoys one more chairman priority button.
- The sign-in function can be accessed with one button.
- Each conference unit holds a unique ID number.
- Combined with a camera, it can realize automatic camera tracking after set by the digital conference system host or PC control software.

- Used in conjunction with the control host, the unit can realize the self-test function. The items to be tested include buttons, MIC, and LED indicator.
- The unit is a passive device powered by the system host or PoE switch, with the input voltage of +48V.
- Through the host settings, the chairman unit will be endowed with a priority function (to mute or turn off all delegate units) and a podium mode (the chairman unit is normally on).
- The chairman unit has the authority to approve the application for speaking from the delegate unit.
- The chairman unit can be turned on freely without being restricted by the number of speaking units.
- The chairman unit has the priority function of having full control over the order of the conference.
- There is no restriction on the location of the chairman unit when connected to the system.

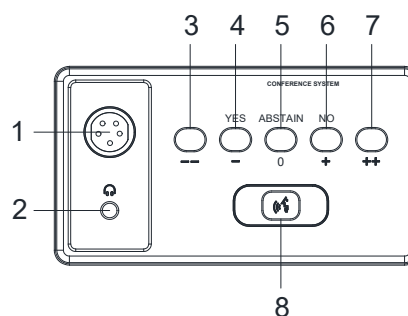
Specifications

Model	D7141/D7142	
Structure Type	Embedded	
Effective Frequency	Unit A to Unit B	50Hz-15kHz
Range of Gain Limit (±3dB)	Host Line to Unit	50Hz-20kHz
	Unit to Host Line	50Hz-16kHz
Static Power Consumption	<4W	
Maximum Power Consumption	<5W	
S/N Ratio	>73dB	
Harmonic Distortion	<0.3%	
Headphone Output	9dBu, 8-32Ω, 3.5mm	
Operating Power	Powered by the host or PoE switch with +48V	
Unit Interface	Network interface	
Microphone	Microphone Type	Electret cardioid condenser
	Sensitivity	-30dBV/pa
	Input Impedance	2kΩ
	Equivalent Noise	20dB(SPL)
	MAX. SPL.	125dB(THD<3%)
Outer Dimensions (L×W×H)	145×80×150mm	
Cut-Out Size	132×67mm (Panel protrudes from the desktop)	
	146×81mm countersink 3mm (Panel is level with the desktop)	
Package Dimensions	510×255×121mm (2 pcs)	
Gross Weight	1.8kg	
Net Weight	0.8kg	

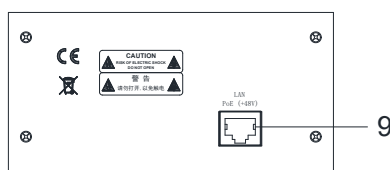
Buttons and Indication Functions



Front View of Chairman Unit



Front View of Delegate Unit



Rear View of Chairman/Delegate Unit

1. Microphone Jack

- Removable 5-pin spiral microphone jack.

2. Headphone Jack

- Connect with a 3.5mm connector.

3. “-” Button

- For the chairman unit, it is used to initiate a voting; for the delegate unit, it has no function.
- It can work with the PC control software for rating operations. Please refer to the user manual of the PC control software for details.

4. “-” Button

- Voting button.
- It can work with the PC control software for rating operations.

5. “0” Button

- Voting button.
- It can work with the PC control software for rating operations.

6. “+” Button

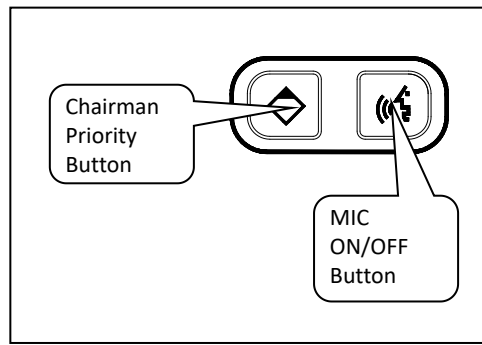
- Voting button.
- It can work with the PC control software for rating operations.

7. “+ +” Button

- For the chairman unit, it is used to end a voting; for the delegate unit, it has no function.
- It can work with the PC control software for rating operations.

8. MIC ON/OFF Button and Indicator Light

- The MIC ON/OFF button / APPLY button and the indicator light of the delegate unit. The indicator light is on when the button is pressed to turn on the microphone; the indicator light flashes when the button is pressed to apply for speaking or when the conference unit is renumbered or tracked and positioned by a camera.
- The MIC ON/OFF button, the chairman priority button and the indicator lights of the chairman unit.



- The indicator light is on when the button is pressed to turn on the microphone; the indicator light flashes when the conference unit is renumbered or tracked and positioned by a camera.
- When the chairman priority button is pressed, the unit that is speaking will be muted or turned off.

9. RJ45 Network Interface

Connect the host or +48V PoE switch to supply power and transmit audios to the unit and control the unit. This cable is 2 meters long, and it needs to be connected with an extension connector if exceeding 2 meters (it is recommended that the longest length should not exceed 80 meters), as shown in the figure below.



Installation Diagram

