

MP6821

Digital Conference Discussion Chairman Microphone



Description

The MP6821 Digital Conference Discussion Chairman Microphone features a 420mm full-metal short microphone stem design, equipped with anti-interference circuitry and a speaking indicator light ring. It supports up to 10 unit connections and displays the current working status through a 2.3-inch LCD screen. Its efficient and stable performance along with various speaking modes meets your needs for hosting various meetings.

The MP6822 Digital Conference Discussion Delegate Microphone connects via a dedicated 8-core aviation T-type cable, eliminating the need for additional wiring. It supports automatic recovery and hot-swappable lines, ensuring stability and reliability. Paired with the conference host, it easily realizes various speaking modes, making your voice more smooth and natural.

Both the MP6821 Chairman Microphone and the MP6822 Delegate Microphone support 5 conference modes, catering to different meeting needs and ensuring the best outcome for every session, reflecting professional and efficient conference management.

Features

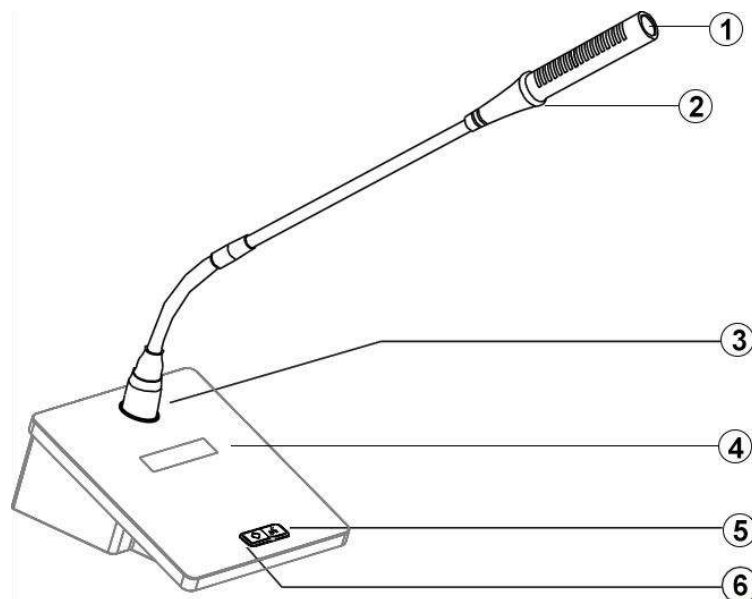
- 420mm full metal microphone rod design.
- Low sensitivity to interference from mobile phones, WiFi, Bluetooth, and FM radio, with anti-interference circuit design.
- Microphone head equipped with a speaking light ring to indicate the speaking and off status.
- Equipped with a 2.3-inch LCD screen to display the current working status

- Chairman unit has priority function, allowing it to turn off all speaking delegate units; supports up to 10 chairman units.
- Connection position of the chairman unit is not restricted.
- Units are connected with 8-core dedicated aviation T-type cables.
- The unit is a passive device, powered by the system host.
- The system has an automatic repair function, supports hot-swappable functions, and supports a ring hand-in-hand connection to ensure system stability.

Specifications

Model	MP6821 / MP6822
Channel Isolation	>85dB
THD	<0.05%
Frequency Response	20Hz~20KHz
Dynamic Range	>94dB
Sensitivity	-20dB
SNR	>96dBA
Input Impedance	2kΩ
Max. SPL	125dB(THD<3%)
Equivalent Noise	20dBA(SPL)
Display Screen	2.3 inch LCD
Microphone Core Type	Capacitive, Cardioid
Power Supply	System Host-DC24V
Installation Method	Desktop
Product Size (Excluding Microphone Rod)	98×128×54.98mm

Front / Rear Panel



Note: The picture uses desktop chairman unit for reference.

1. Microphone Head: Picks up the speaker's voice and inputs it to the system for amplification
2. Microphone Luminous Ring: Indicates the operational status of the microphone; it glows when the microphone is turned on.
3. Interchangeable Microphone Rod Connector
4. Display: 2.3-inch high-brightness full-view LED screen
5. Microphone Switch: A button to turn the microphone on or off; the speaking icon lights up in red in the working state.
6. Chairman Priority Button: Pressing or releasing this key controls the delegate's right to speak. (for Chairman Unit)

System Diagram

