

HD8135

Ultra-High Definition Camera



Description

The HD camera utilizes a high-quality “Exmor R” CMOS sensor with 1/2.5-inch 8.51 effective megapixels for high-quality images at an ultra-high resolution of 1920×1080 . It focuses on meeting the need for picture smoothness while ensuring ultra-high definition. Driven by a precision motor with advanced control algorithm, it provides a very quiet, smooth and stable operation, moving precisely and quickly to the designated position for a wide range of shots. Besides, it applies 2D and motion-based 3D noise reduction algorithms, with a new generation of low-noise sensors to reduce noise effectively.

Additionally, it can preset up to 255 points through the serial port, including pan, tilt, and zoom presets, and the preset data can be saved even when the camera is powered off. Equipped with an easy-to-operate remote controller, in addition to basic settings and control of pan, tilt, and zoom, it allows you to call up the menu and set the relevant parameters of the camera via the remote controller. With an extensive OSD menu, it allows you to control English and Chinese OSD menus via the remote controller.

Features

- Precise positioning, smooth and quiet PTZ control.
- True 4K HD images.
- Low noise and high S/N ratio.
- Multiple optical zoom and 12x digital zoom.
- 4KP30 high-definition HDMI video output: Support 4KP30/25, 1080P60/50/30/25, 1080I60/50, 720P60/50 and other high-definition video formats.
- 4KP30 high-definition USB3.0 video output: Support 4KP30/25, 1080P30/25, 720P30/25 and other high-definition video formats.
- 4KP30 high-definition network video output: Support 4KP30/25, 1080P30/25, 720P60/50 and other high-definition video formats.
- 255 preset points.
- Multi-function remote controller.
- OSD menu functions in English and Chinese.

Specifications

Camera

	12x	20x
Signal System	3840×2160P30/25, 1080P60/50/30/25, 1080I/60/50 and 720P60/50	
Sensor	1/2.5-inch high-quality CMOS sensor, 8.51 megapixels	
Scanning Mode	Progressive scanning	
Lens	Optical zoom 12x, F1.6~F3.5, f=3.9mm~46.8mm	Optical zoom 20x, F1.6~F3.5, f=6.5mm~130mm
Digital Zoom	12x	
Minimum Illumination	Support ultra-low illumination: 0.1Lux@F1.6 (colorful), 0.01Lux@F1.6 (black and white)	
Shutter	1/30s ~ 1/10000s	
White Balance	Auto, Indoor, Outdoor, Manual	
Backlight Compensation	Support	
Digital Noise Reduction	2D&3D digital noise reduction	
S/N Ratio	≥52dB	
FOV (H)	12x: 72.5° (wide-angle end) ~ 6.55° (far end)	20x: 58.7° (wide-angle end) ~ 3.2° (far end)
Horizontal Rotation Angle	±170°	
Vertical Rotation Angle	-30° ~ +90°	
Horizontal Rotation Speed	1 °/s ~ 100 °/s	
Vertical Rotation Speed	1 °/s ~ 60 °/s	
Horizontal & Vertical Flip	Support	
Number of Preset Points	255	
Precision of Preset Points	±0.1°	

Input & Output Interfaces

HD Video Output	HDMI	Support up to 4KP30	
	SDI	Support up to 3G-SDI	
	USB3.0	Support up to 4KP30, support protocol UVC1.1, and support PTZ control	Not support
	USB2.0	Reserved	
	LAN	Network Protocols IPv4, TCP, UDP, HTTP, NTP, DNS, DHCP, ARP, RTSP, RTP, RTCP, ONVIF, RTMP, RTMPS, VISCA OVER IP	Not support
Communication Interface	1 channel, RS-232 IN, maximum distance: 30m, VISCA/Pelco-D/Pelco-P protocols 1 channel, RS-422, maximum distance: 1200m, VISCA/Pelco-D/Pelco-P protocols		
Power Connector	JEITA type (DC IN 12V) HEC3800		

General Specifications

Input Voltage	AC110V-AC220V-to-DC12V(DC11.5-DC12.5V)
Input Current	DC12V/3A
Operating Temperature	0°C~+45°C
Storage Temperature	-10°C~+60°C
Power Consumption	24W (Maximum)

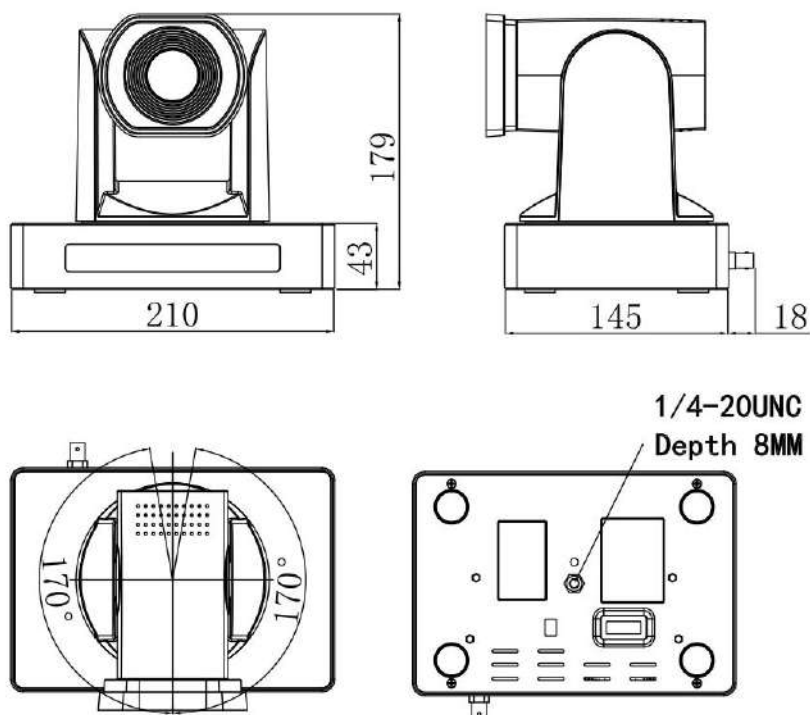
Product Dimensions	Refer to "Installation Dimension Drawing"
Package Dimensions	355mm×270mm×255mm
Weight (Net Weight)	3.5KG (1.8KG)

Front / Rear Panel

Camera Interface Function

Interfaces	1. Lens	6. DC Power Connector	11. USB2.0 Port (Reserved)
	2. Camera Body	7. Network Interface	12. AUDIO IN (Reserved)
	3. Remote Control Receiver, Power Indicator	8. RS232 and RS422 Control Interface	13. AUDIO OUT (Reserved)
	4. Mounting Hole	9. USB3.0 Port	14. SDI Connector
	5. Fixing Hole	10. HDMI Connector	

Installation Dimension Drawing



Remote Controller



1. Standby Button

Press and hold the button, and then the device enters standby mode. Press and hold the button again, and then the device performs self-test and returns to HOME. If the preset 0 is set, the PTZ will move to the position of the preset 0.

2. Device Selection

Select the address number of the device to be controlled.

3. Number Buttons

Set or recall presets 0-9.

4. */# Button

5. Focus Control Button: Adjust Focus

[Auto Focus]: Enter auto focus mode.

[Manual Focus]: Switch the device focus mode to manual; adjust the focus by pressing [Focus+] or [Focus-].

6. Zoom Control Button

[Zoom+]: Zoom in on the narrow-angle lens; [Zoom-]: Zoom out on the wide-angle lens.

7. Set/Clear Preset Button

Set Preset: Save a preset point. Press Set Preset + Number buttons (0-9) to set the preset point of the corresponding number button.

Clear Preset: Clear a preset point. Press Clear Preset + Number buttons (0-9) to clear the preset point of the corresponding number button.

8. PTZ Control Button

Up/Down/Left/Right Arrows: Control the PTZ to rotate up, down, left or right.

[HOME] button: Return the PTZ to the middle position or enter the next menu.

9. BLC Control Button

Backlight On/Off: Turn on/off the backlight.

10. Menu button: Enter/Exit the menu or return to the previous menu.

11. Infrared Remote Control Device Address Settings

[*]+[#]+[F1]: #1 address; [*]+[#]+[F2]: #2 address; [*]+[#]+[F3]: #3 address; [*]+[#]+[F4]: #4 address.

12. Combination Buttons on the Remote Controller

1) [#]+[#]+[#]: Clear all preset points.	2) [*]+[#]+[6]: Restore factory defaults.
3) [*]+[#]+[9]: Switch between forward and reverse mounting.	4) [*]+[#]+[7]: Switch between left and right mirroring.
5) [#]+[#]+[0]: Switch video format to 1080P60.	6) [#]+[#]+[1]: Switch video format to 1080P50.
7) [#]+[#]+[2]: Switch video format to 1080I60.	8) [#]+[#]+[3]: Switch video format to 1080I50.
9) [#]+[#]+[4]: Switch video format to 720P60.	10) [#]+[#]+[5]: Switch video format to 720P50.
11) [#]+[#]+[6]: Switch video format to 1080P30.	12) [#]+[#]+[7]: Switch video format to 1080P25.
13) [#]+[#]+[8]: Switch video format to 4KP30.	14) [#]+[#]+[9]: Switch video format to 4KP25.