

DW9866 DW60 DW61 DW63 DW64 UHF Wireless Microphone System



DW9866 Wireless Microphon System Host

Description

This product is a professional wireless microphone system. DW9866 is the wireless microphone host, which can be combined with wireless microphones to form a wireless microphone system. The system is working in the UHF frequency band, with fully digital control and multiple speaking modes. It is easy to install, simple to operate, economical and practical, and is an ideal choice for conference engineering.

Features

Conference Host Features

- Using FM modulation for sound signal transmission, ensuring high fidelity, high signal-to-noise ratio, and no sound delay. Employing a unique new anti-whistling unidirectional high-sensitivity condenser microphone capsule, making conference audio nearly perfect.
- The host is designed with a full metal structure, classy and elegant; the conference units are made of engineering plastic with a novel design, built-in antenna, and aesthetically pleasing appearance.
- A data communication algorithm independently developed for conference applications ensures that the system response speed is unaffected by the number of conference units within the signal range. Users can flexibly add or remove conference units. The default system capacity for conference units at the factory is 255 units (including 1 chairman unit).
- It supports various conference speaking modes such as FIFO (first-in-first-out), LIFO (last-in-first-out),

limited speaking, and chairman-only mode.

- With ultra-low power consumption, the conference unit offers over 6 hours of continuous speaking time and over 10 hours of standby time. It is compatible with either AA batteries or the manufacturer's original Ni-MH batteries.
- The included smart charger effectively protects the battery, extends its lifespan, and ensures safety.
- Large LCD display with a hierarchical menu design for clear and easy operation. It includes features such as battery level display, low voltage warning, frequency channel, and signal indicators.
- Both audio and control channels are transmitted in a wireless way, eliminating the need for cable installation. Within the signal coverage area, units can move freely, making conference setup convenient and flexible.

Conference Unit Features

- Equipped with a 2.23" OLED display to show microphone status, signal strength, and battery level.
- Electromagnetic interference-resistant circuit design to eliminate all electromagnetic interference.
- Ultra-low power circuit design, providing continuous speaking time of no less than 12 hours.
- Red indicator light ring to indicate the microphone's working status.
- Chairman unit features a priority button to control the conference atmosphere.
- ID address code allocation function to avoid ID address code duplication.

Specifications

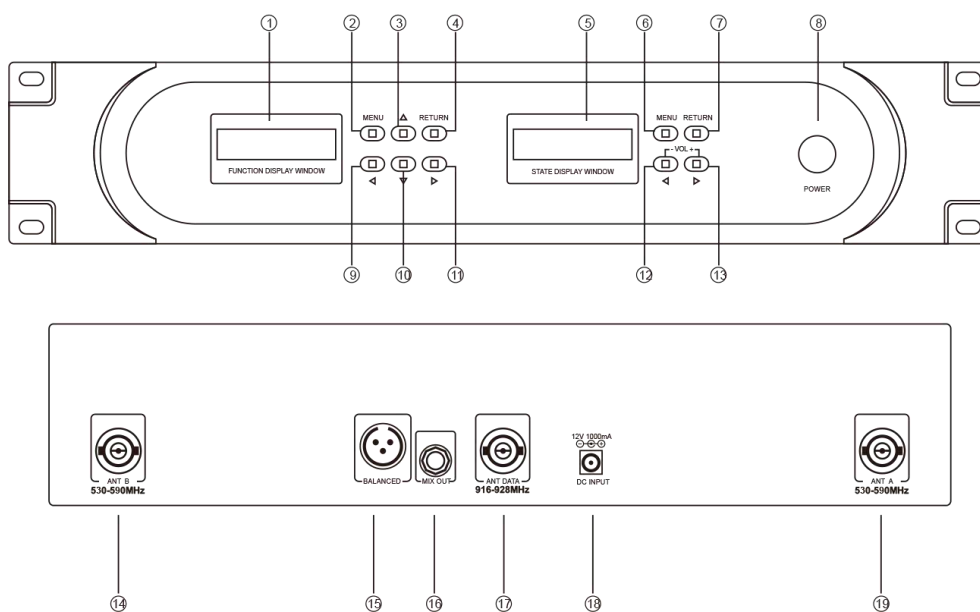
Model		DW9866
Power Input		DC12V, ≥1A
Power Consumption		<6W
Audio Channel	Communication Method	UHF wireless method (one-way)
	Number of Channels	4/6/8 channels
	Frequency Range	530MHz~590MHz
	Demodulation Mode	FM
	Receiving Sensitivity	-100dBm
Control Channel	Communication Method	UHF wireless method (two-way)
	Number of Channels	60 channels
	Frequency Range	916MHz~928MHz
	Demodulation Mode	GFSK
	Receiving Sensitivity	-100dBm
	Radiant Power	>+10dBm (10MW)
	Frequency Deviation	15ppm
Data Rate	4.8Kbps	
Operating Temperature		-10°C~40°C
Dimensions (L×W×H)		480mm×320mm×90mm
Weight		1.8kg

Model		DW60 DW61 DW63 DW64
Operating Power		DC2.8V-4.5V
Consumption Power		120mA
Microphone Rod		420mm
Audio Channel	Communication Method	UHF wireless method (one-way)

	Frequency Range	530MHz-590MHz
	Modulation Mode	FM
	Maximum Modulation	50K
	Radiant Power	>+10dBm (10MW)
	Frequency Deviation	<15ppm
	Reference Speaking Distance	8cm~30cm
Control Channel	Communication Method	Wireless method (two-way)
	Number of Channels	60 channels
	Frequency Range	916MHz~928MHz
	Modulation Mode	GFSK
	Receiving Sensitivity	>0dBm (1V)
	Radiant Power	>+10dBm (10MW)
	Frequency Deviation	<15ppm
	Date Rate	4.8Kbps
	Operating Temperature	-10°C~40°C
	Dimensions (W×H×D)	132mm×72mm (excluding microphone rod)×143mm
	Weight	0.85kg

Front / Rear Panel

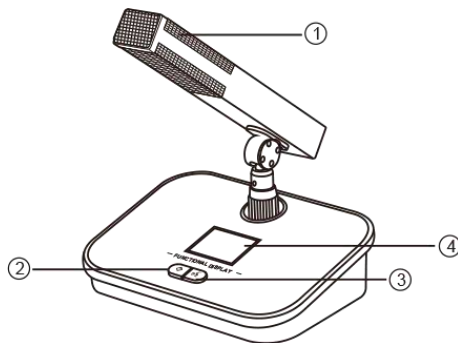
Conference Host Panel



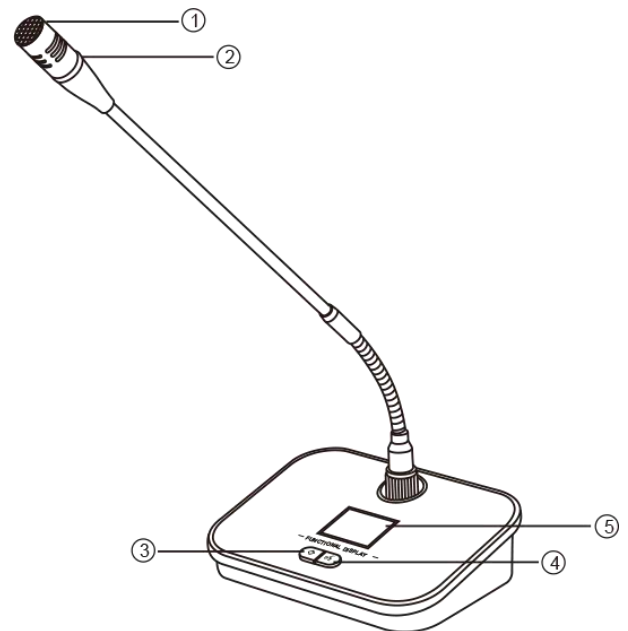
1. Function display window
2. (Function display window) Menu/Enter
3. (Function display window) Up arrow ▲
4. (Function display window) Return
5. State display window
6. (State display window) SET
7. (State display window) Return

8. POWER
9. (Function display window) Left arrow ◀
10. (Function display window) Down arrow ▼
11. (Function display window) Right arrow ▶
12. (State display window) Left arrow ◀ / Volume-
13. (State display window) Right arrow ▶ / Volume+
14. Microphone audio channel antenna interface (ANT B)
15. Audio mixing balanced output (MIX-BAL)
16. Audio mixing output (MIX OUT)
17. Control channel antenna interface (ANT DATA)
18. DC power socket
19. Microphone audio channel antenna interface (ANT A)

Conference Unit Panel



1. Supercardioid Condenser Microphone
2. Chairman Priority Button
3. Microphone ON/OFF Button
4. Display Screen



1. Supercardioid Condenser Microphone
2. Light Ring: Normally on for speaking status
3. Chairman Priority Button
4. Microphone ON/OFF Button
5. Display Screen