

D7153 D7154

Desktop Speaking Chairman/Delegate Unit



D7153

Desktop Speaking Chairman Unit



D7154

Desktop Speaking Delegate Unit

Description

The conference unit uses electret cardioid directional condenser pickup microphone with a round microphone base and features speaking and sign-in functions. The chairman unit has the priority and authority to approve the application for speaking from the delegate unit.

Features

- A speaking conference unit integrating speaking and sign-in functions.
- With a 2m dedicated high-density cable and 1 RJ45 universal network connector.
- Adopt integrated square microphone rod (240mm in length, non-removable), electret cardioid directional condenser pickup microphone, with two-color indicator ring (red/green), red for speaking, green for applying for speaking.
- With a 3.5mm stereo headphone jack for headphone connection to monitor the speech of other units.
- Can adjust the microphone volume and headphone monitoring volume independently. Long press the V+ button to enter the microphone volume adjustment, and long press the V- button to enter the headphone monitoring volume adjustment.
- With microphone on/off button, with a chairman priority button for the chairman unit. Can speak, sign in and number through the microphone on/off button.
- With a unique ID for each conference unit. Long press the microphone on/off button to delete the ID number.
- Combined with a camera, it can realize automatic camera tracking after set by the digital conference system host or PC control software.
- Used in conjunction with the control host, the unit can realize the self-test function. The items to be tested include buttons, MIC, and LED indicator.
- The unit is a passive device powered by the system host or PoE switch, with the input voltage of +48V.
- Through the host settings, the chairman unit is endowed with a priority function (to mute or turn off all

delegate units) and a podium mode (the chairman unit is normally on).

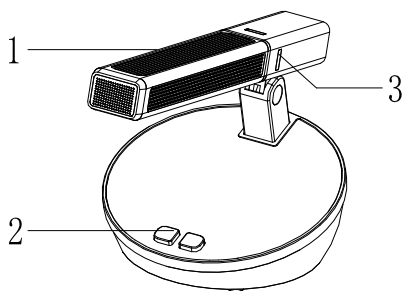
- The chairman unit has the authority to approve the application for speaking from the delegate unit.
- The chairman unit can be turned on freely without being restricted by the number of speaking units.
- The chairman unit has the priority function of having full control over the order of the conference.
- There is no restriction on the location of the chairman unit when connected to the system.

Specifications

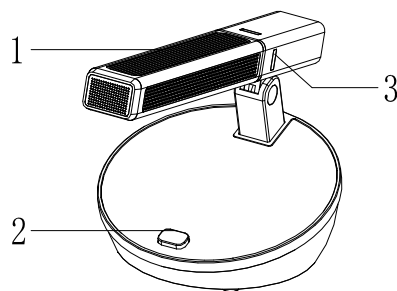
Model		D7153/D7154
Structure Type		Desktop
Effective Frequency	Unit A to Unit B	80Hz-12kHz
Range of Gain Limit (±3dB)	Host Line to Unit	80Hz-16kHz
	Unit to Host Line	80Hz-16kHz
Static Power Consumption		<2W
Maximum Power Consumption		<2W
S/N Ratio		>80dB (A-weighted)
Harmonic Distortion		<0.3%
Headphone Output		9dBu, 8-32Ω, 3.5mm
Operating Power		Powered by the host or PoE switch with +48V
Unit Interface		Network Interface
Microphone	Microphone Type	Electret cardioid condenser
	Sensitivity	-45dBV/pa
	Input Impedance	2kΩ
	Equivalent Noise	20dB (SPL)
	MAX. SPL.	125dB (THD<3%)
Package Dimensions		385×345×181mm (two pcs/CTN)
Machine Dimensions (Excluding MIC Rod, W×D×H)		142×139×65mm
Gross Weight		2.4kg
Net Weight		0.78kg

Front / Rear Panel

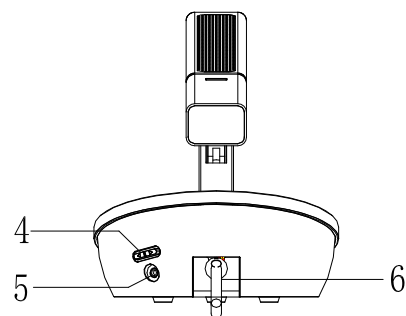
Buttons and Indication Functions



Side View of Chairman Unit



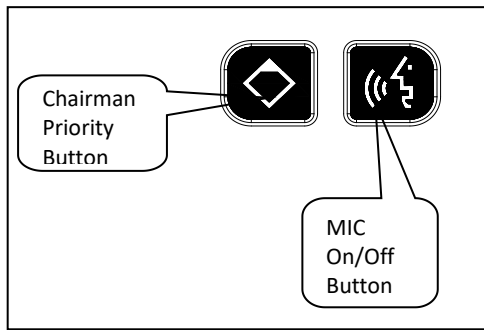
Side View of Delegate Unit



Rear View

1. Microphone Rod
2. MIC On/Off Button and Indicator

- The MIC On/Off button / APPLY button and the indicator light of the delegate unit. The indicator light is on when the button is pressed to turn on the microphone; the indicator light flashes when the button is pressed to apply for speaking or when the conference unit is renumbered or tracked and positioned by a camera.
- The MIC On/Off button, the chairman priority button and the indicator lights of the chairman unit.



- The indicator light is on when the button is pressed to turn on the microphone; the indicator light flashes when the conference unit is renumbered or tracked and positioned by a camera.
- When the chairman priority button is pressed, the unit that is speaking will be muted or turned off.

3. Microphone Indicator

- With red and green working status, red for speaking, green for applying for speaking.

4. Volume Adjustment Buttons

- Used to adjust the headphone monitoring and microphone volume. Long press the V+ button to enter the microphone volume adjustment, and long press the V- button to enter the headphone monitoring volume adjustment.

5. Monitor Headphone Jack

- Connect with a 3.5mm connector.

6. RJ45 Network Interface Cable

Connect the host or +48V PoE switch for supplying power to the unit and audio transmission and control. This cable is 2 meters long, and it needs to be connected with an extension connector if exceeding 2 meters (it is recommended that the longest length should not exceed 80 meters), as shown in the figure below.

