

D7151 D7152

Desktop Speaking & Voting Chairman/Delegate Unit



D7151

Desktop Speaking & Voting Chairman Unit



D7152

Desktop Speaking & Voting Delegate Unit

Description

The conference unit uses electret cardioid directional condenser pickup microphone with a round microphone base and features functions such as speaking, sign-in, voting, rating, SMS, and tea service. It is provided with a 4" square LCD display touch screen to display the working status of the unit in real time. The chairman unit has the priority and authority to approve the application for speaking from the delegate unit.

Features

- A speaking conference unit integrating speaking, sign-in, voting, rating, SMS, and tea service functions.
- With a 2m dedicated high-density cable and 1 RJ45 universal network connector.
- Adopt integrated square microphone rod (240mm in length, non-removable), electret cardioid directional condenser pickup microphone, with two-color indicator ring (red/green), red for speaking, green for applying for speaking.
- Adopt 4" square LCD display touch screen to display the working status of the unit in real time. The voting, rating, language switching between Chinese and English, volume level adjustment, backlight time setting, theme switching, SMS viewing, and tea service application can be completed through the display screen.
- With a 3.5mm stereo headphone jack for headphone connection to monitor the speech of other units.
- Can adjust the microphone volume and headphone monitoring volume independently. Long press the V+ button to enter the microphone volume adjustment, and long press the V- button to enter the headphone monitoring volume adjustment; or adjust the volume on the touch screen.
- With microphone on/off button, with a chairman priority button for the chairman unit. Can speak, sign in and number through the microphone on/off button.
- With a unique ID for each conference unit. Long press the microphone on/off button to delete the ID number and reset to the first set of theme UI.
- Come with 3 sets of theme UI, two modes: free mode and locked mode. In free mode, the theme of

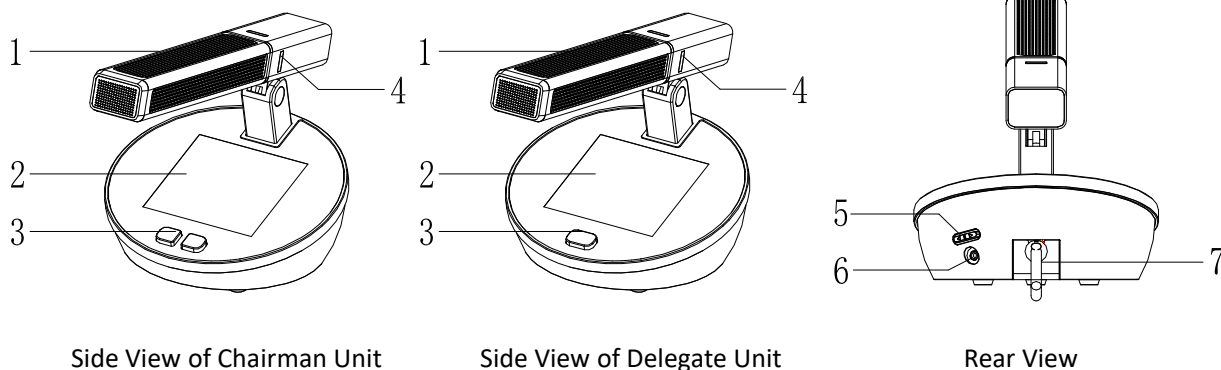
each unit can be changed freely, or the themes of all units can be changed uniformly in the PC background. In locked mode, the theme of the unit cannot be changed.

- Display the ID number of the conference unit, the number of mics applying for speaking, the voting results, the number of attendees who have signed in and various operation information on the LCD screen.
- With tea service function, including paper, pen, tea, coffee, and manual service.
- With language switching function, bilingual switching between Simplified Chinese and English.
- Combined with a camera, it can realize automatic camera tracking after set by the digital conference system host or PC control software.
- Used in conjunction with the control host, the unit can realize the self-test function. The items to be tested include buttons, MIC, LED indicator, and LCD screen.
- The unit is a passive device powered by the system host or PoE switch, with the input voltage of +48V.
- Through the host settings, the chairman unit is endowed with a priority function (to mute or turn off all delegate units) and a podium mode (the chairman unit is normally on).
- The chairman unit has the authority to approve the application for speaking from the delegate unit.
- The chairman unit has the function of initiating a voting.
- The chairman unit can be turned on freely without being restricted by the number of speaking units.
- The chairman unit has the priority function of having full control over the order of the conference.
- There is no restriction on the location of the chairman unit when connected to the system.

Specifications

Model		D7151/D7152
Structure Type		Desktop
Effective Frequency	Unit A to Unit B	80Hz-12kHz
Range of Gain Limit (±3dB)	Host Line to Unit	80Hz-16kHz
	Unit to Host Line	80Hz-16kHz
Static Power Consumption		<3W
Maximum Power Consumption		<3W
S/N Ratio		>80dB (A-weighted)
Harmonic Distortion		<0.3%
Headphone Output		9dBu, 8-32Ω, 3.5mm
Operating Power		Powered by the host or PoE switch with +48V
Unit Interface		Network Interface
Microphone	Microphone Type	Electret cardioid condenser
	Sensitivity	-45dBV/pa
	Input Impedance	2kΩ
	Equivalent Noise	20dB (SPL)
	MAX. SPL.	125dB (THD<3%)
Package Dimensions		385×345×181mm (two pcs/CTN)
Machine Dimensions (Excluding MIC Rod, W×D×H)		142×139×65mm
Gross Weight		2.5kg
Net Weight		0.85kg

Buttons and Indication Functions



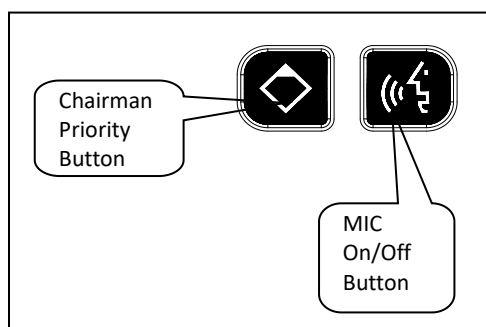
1. Microphone Rod

2. 4" Square LCD Touch Screen

- Display the ID number of the unit, the working status, the voting results and operation information.

3. MIC On/Off Button and Indicator

- The MIC On/Off button / APPLY button and the indicator light of the delegate unit. The indicator light is on when the button is pressed to turn on the microphone; the indicator light flashes when the button is pressed to apply for speaking or when the conference unit is renumbered or tracked and positioned by a camera.
- The MIC On/Off button, the chairman priority button and the indicator lights of the chairman unit.



- The indicator light is on when the button is pressed to turn on the microphone; the indicator light flashes when the conference unit is renumbered or tracked and positioned by a camera.
- When the chairman priority button is pressed, the unit that is speaking will be muted or turned off.

4. Microphone Indicator

- With red and green working status, red for speaking, green for applying for speaking.

5. Volume Adjustment Buttons

- Used to adjust the headphone monitoring and microphone volume. Long press the V+ button to enter the microphone volume adjustment, and long press the V- button to enter the headphone monitoring volume adjustment.

6. Monitor Headphone Jack

- Connect with a 3.5mm connector.

7. RJ45 Network Interface Cable

Connect the host or +48V PoE switch for supplying power to the unit and audio transmission and control. This cable is 2 meters long, and it needs to be connected with an extension connector if exceeding 2 meters (it is recommended that the longest length should not exceed 80 meters), as shown in the figure below.

