

D7143 D7144

Embedded Speaking Chairman/Delegate Unit



D7143

Embedded Speaking Chairman Unit



D7144

Embedded Speaking Delegate Unit

Description

The conference unit is an electret cardioid directional condenser pickup microphone, with speaking function. It is designed with exquisite embedded structure and a removable microphone rod. The chairman unit has the priority function and authority to approve the application for speaking from the delegate unit.

Features

- A speaking-only conference unit.
- With 2m dedicated high-density cable, and 1 RJ45 universal network connector.
- Electret cardioid directional condenser pickup microphone, with two-color indicator ring (red/green), red for speaking, green for applying for speaking.
- Adopt knob-type microphone rod and mini microphone.
- The standard aluminum alloy integrated square microphone rod is available in 186mm. Other options: gooseneck microphone rod, oval microphone rod, square microphone rod with analog backup, square microphone rod with dual mics and square microphone rod with analog backup and dual mics.
- The microphone rod can be dismantled in the absence of a meeting for easy maintenance and preservation.
- With a 3.5mm stereo headphone jack to connect headphones.
- With super strong anti-interference capability against mobile phones.
- With 1 microphone on/off button. The chairman unit enjoys one more chairman priority button.
- The sign-in function can be accessed with one button.
- Each conference unit holds a unique ID number.
- Combined with a camera, it can realize automatic camera tracking after set by the digital conference system host or PC control software.
- Used in conjunction with the control host, the unit can realize the self-test function. The items to be tested include buttons, MIC, and LED indicator.
- The unit is a passive device powered by the system host or PoE switch, with the input voltage of +48V.
- Through the host settings, the chairman unit will be endowed with a priority function (to mute or turn off all delegate units) and a podium mode (the chairman unit is normally on).

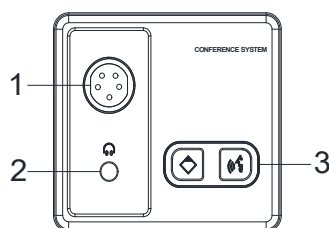
- The chairman unit has the authority to approve the application for speaking from the delegate unit.
- The chairman unit can be turned on freely without being restricted by the number of speaking units. There is no restriction on the location of the chairman unit when connected to the system.
- The chairman unit has the priority function of having full control over the order of the conference.

Specifications

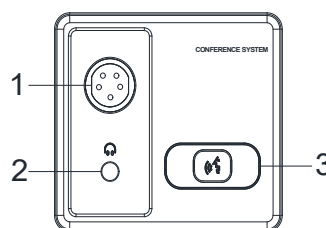
Model	D7143/D7144	
Structure Type	Embedded	
Effective Frequency	Unit A to Unit B	50Hz-15kHz
Range of Gain Limit (±3dB)	Host Line to Unit	50Hz-20kHz
	Unit to Host Line	50Hz-16kHz
Static Power Consumption	<4W	
Maximum Power Consumption	<5W	
S/N Ratio	>73dB	
Harmonic Distortion	<0.3%	
Headphone Output	9dBu, 8-32Ω, 3.5mm	
Operating Power	Powered by the host or PoE switch with +48V	
Unit Interface	Network interface	
Microphone	Microphone Type	Electret cardioid condenser
	Sensitivity	-30dBV/pa
	Input Impedance	2kΩ
	Equivalent Noise	20dB(SPL)
	MAX. SPL.	125dB(THD<3%)
Outer Dimensions (L×W×H)	90×80×150mm	
Cut-Out Size (L×W×H)	77×67mm (Panel protrudes from the desktop)	
	91×81mm countersink 3mm (Panel is level with the	
Package Dimensions	510×255×121mm (2 pcs)	
Gross Weight	1.6kg	
Net Weight	0.55kg	

Front / Rear Panel

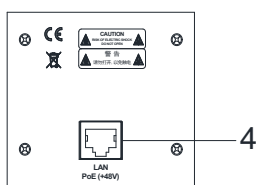
Buttons and Indication Functions



Front View of Chairman Unit



Front View of Delegate Unit



Rear View of Chairman/Delegate Unit

1. Microphone Jack

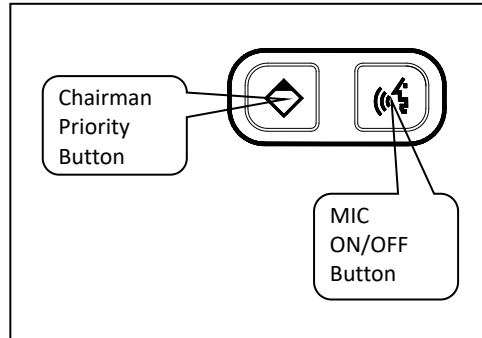
- Removable 5-pin spiral microphone jack.

2. Headphone Jack

- Connect with a 3.5mm connector.

3. MIC ON/OFF Button and Indicator Light

- The MIC ON/OFF button / APPLY button and the indicator light of the delegate unit. The indicator light is on when the button is pressed to turn on the microphone; the indicator light flashes when the button is pressed to apply for speaking or when the conference unit is renumbered or tracked and positioned by a camera.
- The MIC ON/OFF button, the chairman priority button and the indicator lights of the chairman unit.



- The indicator light is on when the button is pressed to turn on the microphone; the indicator light flashes when the conference unit is renumbered or tracked and positioned by a camera.
- When the chairman priority button is pressed, the unit that is speaking will be muted or turned off.

4. RJ45 Network Interface

Connect the host or +48V PoE switch to supply power and transmit audios to the unit and control the unit. This cable is 2 meters long, and it needs to be connected with an extension connector if exceeding 2 meters (it is recommended that the longest length should not exceed 80 meters), as shown in the figure below.



Installation Diagram

