

## D7129

### HD Video Conference Camera



#### Description

The high-definition video conference camera adopts advanced servo control algorithm (optional) and is driven by precision stepping motor for quiet, smooth and stable operation, and can move to the designated position precisely and quickly. It features a 20x optical zoom with a high-quality 58.7° wide-angle lens, and supports 12x digital zoom. Equipped with a high-quality HD CMOS sensor with effective 2.0 megapixels, it delivers superior images with a maximum resolution of 1920×1080.

The camera can output at up to 60fps at 1080P. The new CMOS image sensor, with an ultra-high signal-to-noise ratio, effectively reduces image noise in low-light conditions. Combined with 2D and 3D noise reduction algorithms, it significantly lowers image noise, ensuring clean and clear images even in ultra-low light conditions, with an image signal-to-noise ratio exceeding 52dB. It uses RS232 and RS485 serial ports to control the camera. Various video output interfaces are available to meet different needs, including HDMI, 3G-SDI, USB3.0, and CVBS.

#### Features

- Precise positioning, smooth and quiet PTZ control.
- 20x optical zoom and 12x digital zoom.
- 1080P full HD.
- High frame rate.
- Remote control.
- Abundant and comprehensive interfaces.
- Menu in Chinese and English.

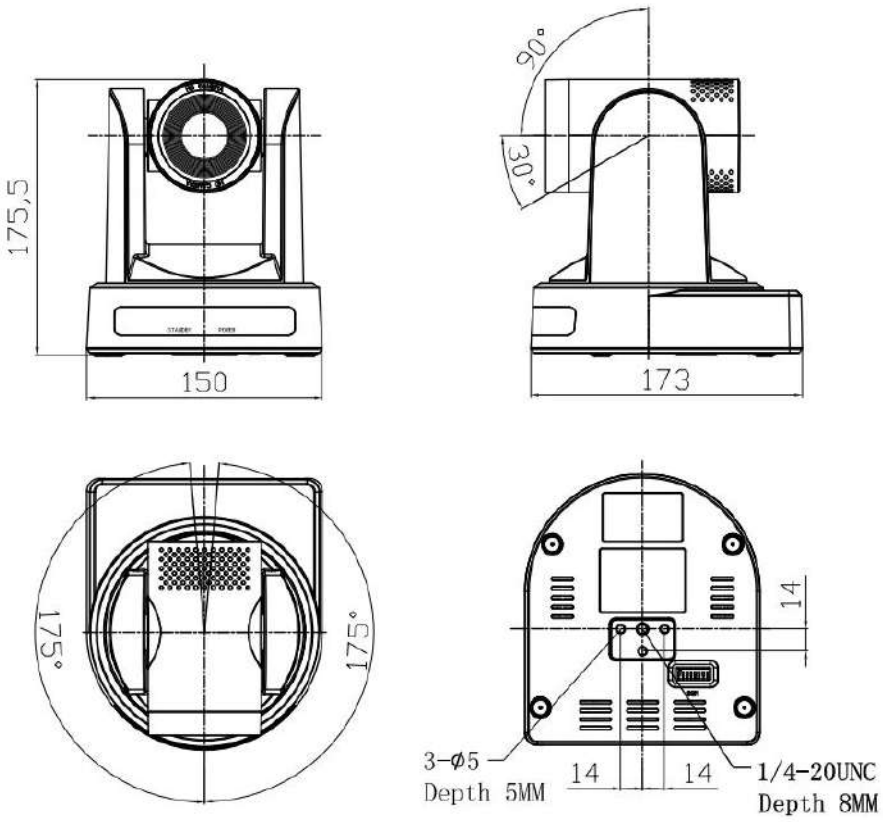
## Specifications

Model	D7129
Signal System	HD: 1080p60/50, 1080P59.94/29.97, 1080p30/25, 720p60/50 720P59.94/29.97 IP: 1080p60/50, 1080p30/25, 720p60/50
Sensor	1/2.8" high-performance CMOS sensor, 2.1 megapixels
Scanning Mode	Progressive scanning
Len	20X, F1.6~F3.5, f=4.7mm~94mm
Digital Zoom	12x
Minimum Illumination	Support ultra-low illumination: 0.1Lux@F1.6 (colorful), 0.01Lux@F1.6 (black and white)
Shutter	1/30s ~ 1/10000s
White Balance	Auto, Indoor, Outdoor, Manual
Backlight Compensation	Support
Digital Noise Reduction	2D&3D digital noise reduction
SNR	≥52dB
FOV (H)	20x: 58.7° (wide-angle end) ~ 3.2° (far end)
Horizontal Rotation Angle	±170°
Vertical Rotation Angle	-30° ~ +90°
Horizontal Rotation Speed	1 °/s ~ 100 °/s
Vertical Rotation Speed	1 °/s ~ 60 °/s
Horizontal & Vertical Flip	Support
Number of Preset Positions	255
Precision of Preset Positions	±0.1°
Input & Output Interfaces	SDI+HDMI+IP
HD Video Output	HDMI, HD-SDI, IP
Communication Interface	1 channel, RS-232 IN: 8-pin small DIN, maximum distance: 30m, VISCA/Pelco-D/Pelco-P protocols
	1 channel, RS-232 OUT: 8-pin small DIN, maximum distance: 30m, VISCA protocol networking
	1 channel, RS-485, maximum distance: 1200m, VISCA/Pelco-D/Pelco-P protocols
Power Connector	JEITA type (DC IN 12V) HEC3800
General Specifications	
Input Voltage	AC110V-AC220V to DC12V/2A
Input Current	DC12V(DC11.5-DC12.5V)
Working Temperature	0°C~+45°C
Storage Temperature	-10°C~+60°C
Power Consumption	18W (Maximum)
Product Dimensions	Refer to " <b>Installation Dimension Drawing</b> "
Package Dimensions	275mm×250mm×260mm
Gross Weight	2.5KG
Net Weight	1.3KG

Camera Interface Function

	<p><b>Product</b></p> <ol style="list-style-type: none"> <li>1. Lens</li> <li>2. Camera Body</li> <li>3. Remote Control Receiver, Power Indicator</li> <li>4. Mounting Hole</li> <li>5. Fixing Hole</li> <li>6. DIP Switch</li> <li>7. RS485 Connector</li> <li>8. RS232 IN Connector</li> <li>9. RS232 OUT Connector</li> <li>10. Network Interface</li> <li>11. HDMI Connector</li> <li>12. SDI Connector</li> <li>13. Audio Input Connector</li> <li>14. DC12V Power Connector</li> </ol>
--	--

Installation Dimension Drawing



# Remote Controller



## 1. Standby Button

Press and hold the button, and then the device enters standby mode. Press and hold the button again, and then the device performs self-test and returns to HOME. If the preset 0 is set, the PTZ will move to the position of the preset 0.

## 2. Device Selection

Select the address number of the device to be controlled.

## 3. Number Buttons

Set or recall presets 0-9.

## 4. \*/# Button

## 5. Focus Control Button: Adjust Focus

[Auto Focus]: Enter auto focus mode.

[Manual Focus]: Switch the device focus mode to manual; adjust the focus by pressing [Focus+] or [Focus-].

## 6. Zoom Control Button

[Zoom+]: Zoom in on the narrow-angle lens; [Zoom-]: Zoom out on the wide-angle lens.

## 7. Set/Clear Preset Button

**Set Preset: Save a preset point.** Press Set Preset +Number buttons (0-9) to set the preset point of the corresponding number button.

**Clear Preset:** Clear a preset point. Press Clear Preset + Number buttons (0-9) to clear the preset point of the corresponding number button.

## 8. PTZ Control Button

Up/Down/Left/Right Arrows: Control the PTZ to rotate up, down, left or right.

[HOME] button: Return the PTZ to the middle position or enter the next menu.

**9. BLC Control Button** Backlight On/Off: Turn on/off the backlight.

**10. Menu button:** Enter/Exit the menu or return to the previous menu.

## 11. Infrared Remote Control Device Address Settings

[\*]+[#]+[F1]: Address #1; [\*]+[#]+[F2]: Address #2.

[\*]+[#]+[F3]: Address #3; [\*]+[#]+[F4]: Address #4.

## 12. Combination Buttons on the Remote Controller

1) [#]+[#]+[#]: Clear all preset points.	2) [*]+[#]+[6]: Restore factory defaults.
3) [*]+[#]+[9]: Switch between forward and reverse mounting.	4) [*]+[#]+[7]: Switch between left and right mirroring.
5) [#]+[#]+[0]: Switch video format to 1080P60.	6) [#]+[#]+[1]: Switch video format to 1080P50.
7) [#]+[#]+[2]: Switch video format to 1080I60.	8) [#]+[#]+[3]: Switch video format to 1080I50.
9) [#]+[#]+[4]: Switch video format to 720P60.	10) [#]+[#]+[5]: Switch video format to 720P50.
11) [#]+[#]+[6]: Switch video format to 1080P30.	12) [#]+[#]+[7]: Switch video format to 1080P25.