

## D6851 D6852 D6853 D6854

### 2.4G Wireless Digital Conference Units



**D6851**

Desktop Speaking Chairman Unit  
(Square Microphone)



**D6852**

Desktop Speaking Delegate Unit  
(Square Microphone)



**D6853**

Desktop Speaking Chairman Unit  
(Gooseneck Microphone)



**D6854**

Desktop Speaking Delegate Unit  
(Gooseneck Microphone)

## Description

D6851, D6852, D6853, D6854 2.4G Wireless Digital Conference Units are designed for efficient and secure communication, each equipped with a unique ID for easy identification. These units feature a microphone on/off button and the chairman unit is uniquely fitted with a chairman priority function. They all include a 2.8-inch TFT color screen displaying unit ID, signal strength, and battery level. With advanced encryption, these units ensure confidential discussions and support camera tracking when paired with a D6850 wireless conference host system and camera. The TYPE-C charging interface allows for convenient charging to support continuous operation.

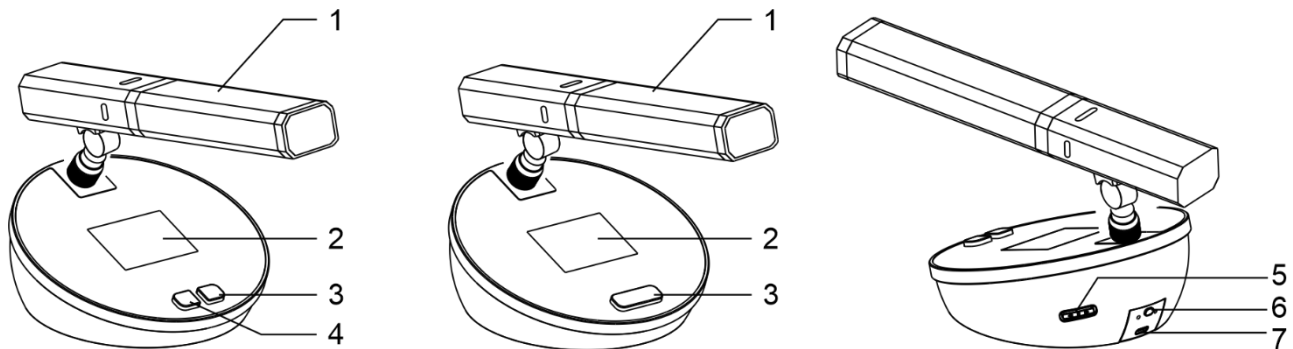
## Features

- Conference unit with pure speech function.
- Each conference unit has a unique ID number.
- Equipped with a microphone on/off button, the chairman unit has a chairman priority button.
- 2.8-inch TFT color screen displaying unit ID, signal strength, battery level, time-limited speech, etc.
- Electret cardioid condenser microphone, available in two models: Square Mic Rod and Gooseneck Microphone.
- The microphone rod can be detached during recess periods, facilitating equipment maintenance and storage.
- Adjustable microphone volume.
- Strong anti-interference ability against mobile phone signals.
- Simplified Chinese and English bilingual display for unit information
- Full digital audio processing technology with an audio sampling rate of 48kHz.
- Encryption protection prevents eavesdropping and unauthorized access, ensuring the confidentiality of meetings.
- Supports automatic camera tracking when used with host settings and paired with a camera
- TYPE-C Charging Interface;

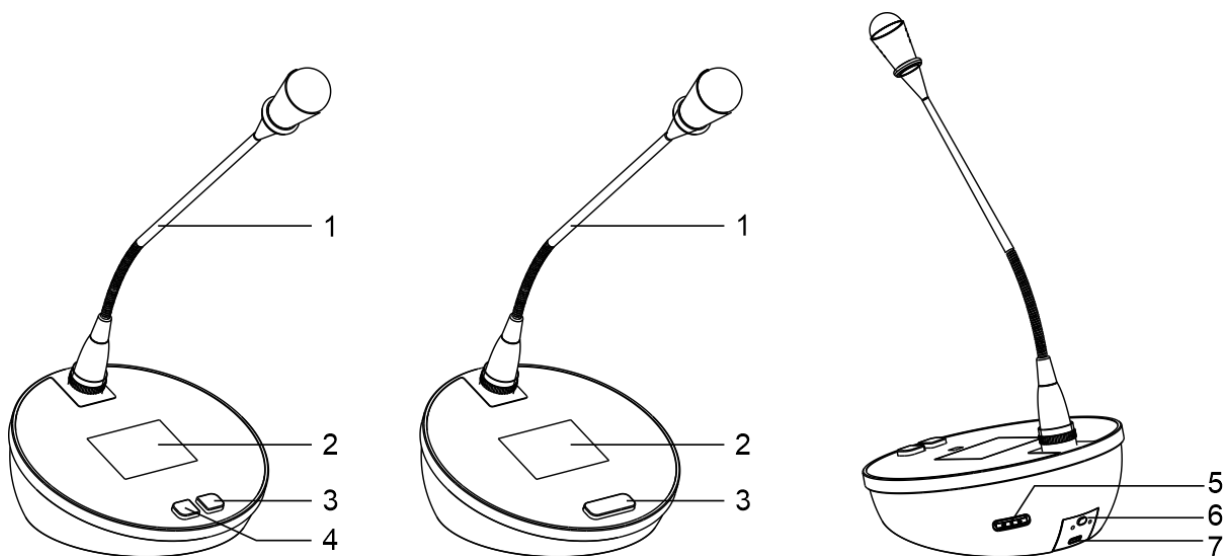
## Specifications

Model	D6851	D6852	D6853	D6854
Input Sensitivity				-45dBV/pa
Effective Frequency Range of Gain Limit ( $\pm 3$ dB)				80Hz-16kHz
Static Power Consumption				<2W
Max. Power Consumption				2W
SNR				>70dB
Harmonic Distortion				<0.5%
Rated Power Consumption				$\leq 1.5$ W
Power Supply				DC3.3V-4.2V
Power Capacity				3.7V/5000mA Lithium Battery
Charging Duration				Fast Charging: $\leq 4.5$ hours (9V 2A) Slow Charging: $\leq 6$ hours (5V 2A)
Working Time				12 Hours
Product Dimension (L×W×H)				142 × 142 × 65 mm (Excluding Microphone Rod)
Package Size (L×W×H)				485×265×125mm (2 PCS)
Net Weight				0.65kg
Gross Weight				2kg (2 PCS)

## Square Microphone Type



## Gooseneck Microphone Type



### 1. Microphone Rod

Equipped with an indicator light that remains lit during speech.

### 2. 2.8-Inch TFT Display

Displays real-time information, including unit ID, working status, and operational details.

### 3. Microphone On/Off Button (with Light)

When the microphone on/off button is pressed to activate the microphone, the indicator light turns on. During unit re-numbering and camera tracking positioning, the indicator light flashes.

### 4. Chairman Priority Button (with Light)

Press the chairman priority button to mute or turn off the unit that is speaking.

### 5. Volume Control Button

Adjusts microphone volume. Long press to switch the display language of the unit interface.

### 6. Power On/Off Key;

Long press for 3 seconds to power the unit on or off.

### 7. TYPE-C Charging Interface.