

D2025TZMII

Paperless Desktop All-In-One Terminal with Microphone



Description

The desktop all-in-one terminal is a new generation of paperless conference terminal product independently developed by our company for high-end multi-functional conference rooms. This system is based on an embedded platform and adopts an industry-leading embedded architecture. The terminal's main display features a 15.6-inch high-resolution (1920×1080dpi) LCD IPS true color digital LCD screen with a 10-point capacitive touchscreen. The nameplate display uses an 8.8-inch IPS bar-type display screen (1920×480). The product design is elegant and refined, with a well-crafted build, adjustable angles for the best ergonomic viewing, and an integrated terminal host with simple interfaces for easy connectivity.

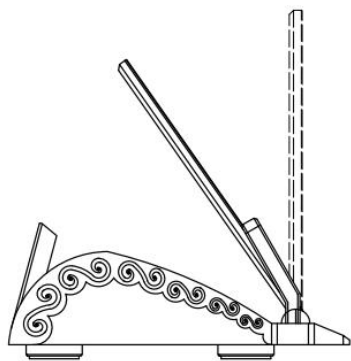
Features

- All-aluminum body design, anodized with a glass sand surface finish.
- Damped hinge for angle adjustment from approximately 25° to 85°, with precise angle positioning.
- The terminal features an external mini host powered by the Kylin system and Zhaoxin KX-U6580 octa-core processor, with simple and practical interfaces.
- Full HD LCD screen with a 10-point capacitive touch, vibrant colors, and quick operation.
- Incorporates a high-sensitivity, stable microphone rod with a lockable plug-and-play design, offering a pickup range of up to 50 cm;
- Unique audio circuit design for conference microphones, capable of handling high sound pressure levels, with a fully balanced structure and advanced shielding technology to resist RF interference from mobile devices.

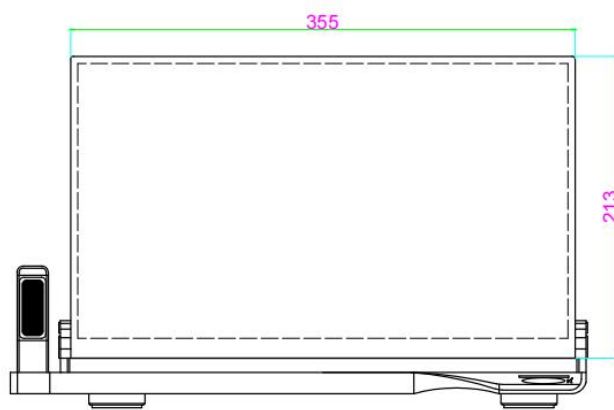
Specifications

Model	D2025TZMII
Operating Platform	Windows10
Processor	Intel i5 1.9GHz
Memory	DDR 8G
Storage Module	DDR 8G
Screen Size	Main Screen: 15.6", 16:9, Secondary Screen: 8.8", 16:9
Screen Resolution	Main Screen 1920*1080; Secondary Screen 1920*480
Touch Control Technology / Surface Hardness	Capacitive / Mohs Level 7
Touch Points/Force Sensitivity	10 points/<10g
Output Interface	VGA*1, HDMI*1, AUDIO*1, RJ45*1
Product Power	60W
Microphone Type	Capacitive Supercardioid Unidirectional
Input Voltage	24V
Mic Rod Length	120mm
Frequency Response	50Hz-17000Hz
Sensitivity	-45±2dB @ 1KHz
Distortion	<0.1% @1KHz
SNR	124dB
Equivalent Input Noise Level	24dB(A)
Output Impedance	1KΩ
Power Supply	AC220V 50/60HZ
Enclosure Materials	Anodized Metal SGCC
Color	Sliver
Installation Method	Desktop Design
Operating Environment	Operating Temperature: -5~45°C
	Storage Temperature: -25~65°C
	Operating Humidity: 5%~95%
	Storage Humidity: 5%~95%

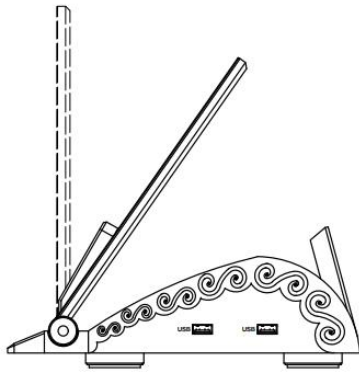
Front / Rear Panel



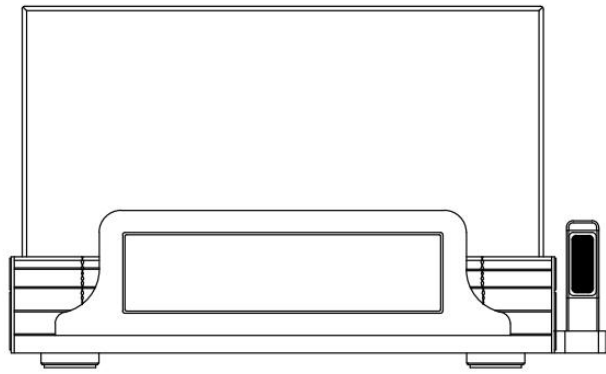
Left Side



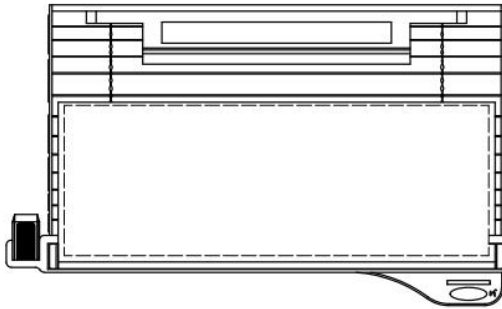
Front Side



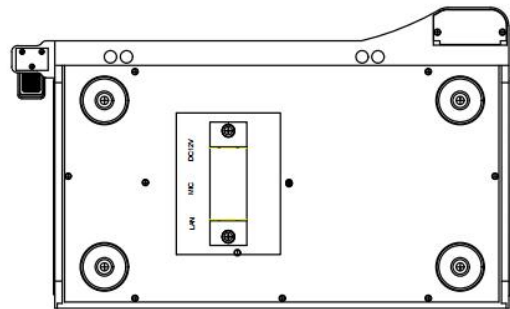
Right Side



Rear Side

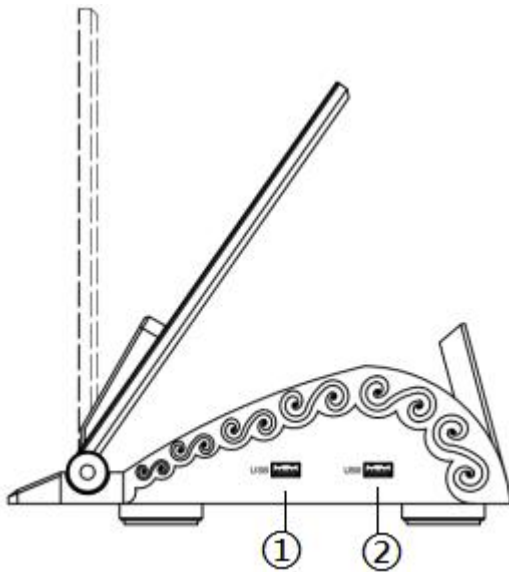


Top Side



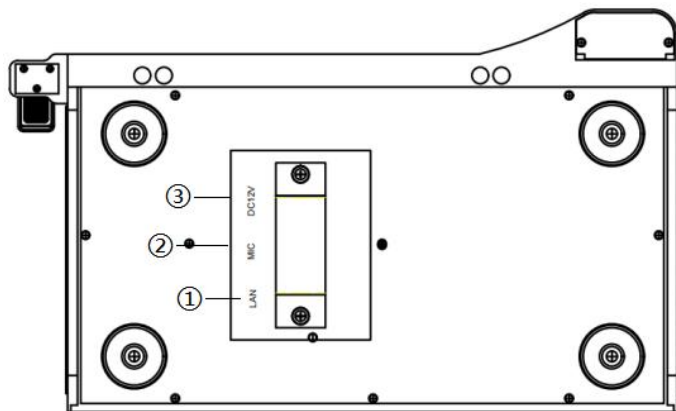
Bottom Side

Right-Side Interfaces



- ① USB 2.0 Interface
- ② USB 2.0 Interface

Bottom Interfaces



- ① RJ45 Network Interface
- ② MIC Interface
- ③ DC12V Power Interface