

D2025TZII

Paperless Desktop All-In-One Terminal



Description

The desktop all-in-one terminal is a new generation of paperless conference terminal independently developed by our company for high-end multi-functional conference rooms. This system is based on an embedded platform and adopts an industry-leading embedded architecture. The terminal's main display features a 15.6-inch high-resolution (1920×1080dpi) LCD IPS true color digital LCD screen with a 10-point capacitive touchscreen. The nameplate display uses an 8.8-inch IPS bar-type display screen (1920×480). The product design is elegant and refined, with a well-crafted build, adjustable angles for the best ergonomic viewing, and an integrated terminal host with simple interfaces for easy connectivity.

Features

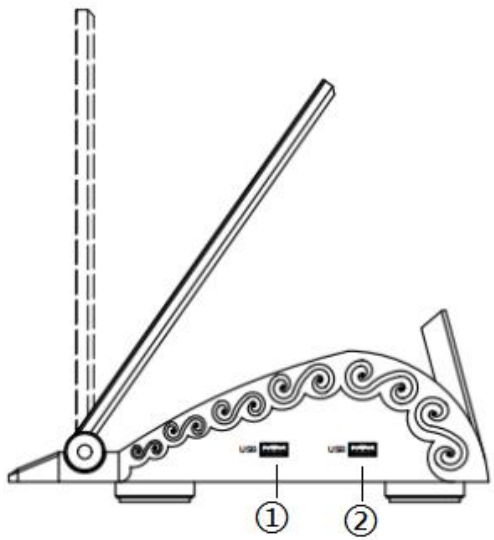
- All-aluminum body design, anodized with a glass sand surface finish.
- Damped hinge for angle adjustment from approximately 25° to 85°, with precise angle positioning.
- The terminal features an embedded Windows PC host with an Intel i5 series quad-core/quadrupath processor, with simple and practical interfaces.
- Full HD LCD screen with a 10-point capacitive touch, vibrant colors, and quick operation.

Specifications

Model	D2025TZII
Operating Platform	Windows7
Processor	Intel i5 1.9GHz
Memory	DDR 8G
Hard Drive	128GB SSD
Wired Network	RJ45 Gigabit
Screen Size	Main Screen: 15.6", 16:9, Secondary Screen: 8.8", 16:9
Screen Resolution	Main Screen 1920*1080; Secondary Screen 1920*480
Touch Control Technology / Surface Hardness	Capacitive / Mohs Level 7
Touch Points/Force Sensitivity	10 points/<10g
Input Interface	USB 2.0*2, RJ45*1, DC*1
Power	60W DC12V/5A
Power Supply	AC220V 50/60HZ
Enclosure Materials	Anodized Metal SGCC
Color	Sliver-Gray
Installation Method	Desktop Design
Operating Environment	Operating Temperature: -5~45°C
	Storage Temperature: -25~65°C
	Operating Humidity: 10%~95%
	Storage Humidity: 10%~95%

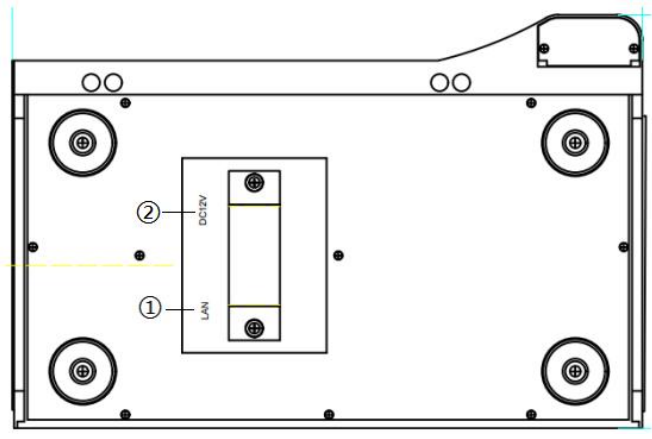
Front / Rear Panel

Right-Side Interfaces

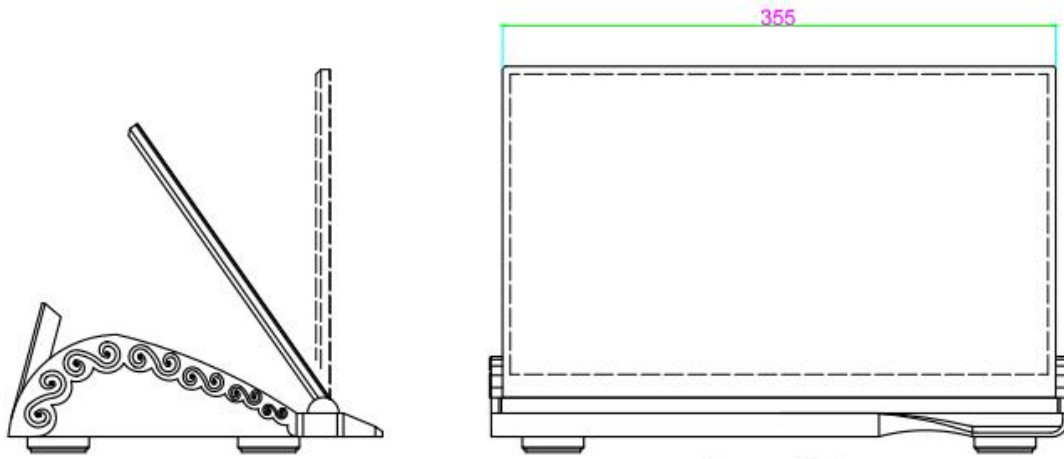


- ① USB 2.0 Interface
- ② USB 2.0 Interface

Bottom Interfaces

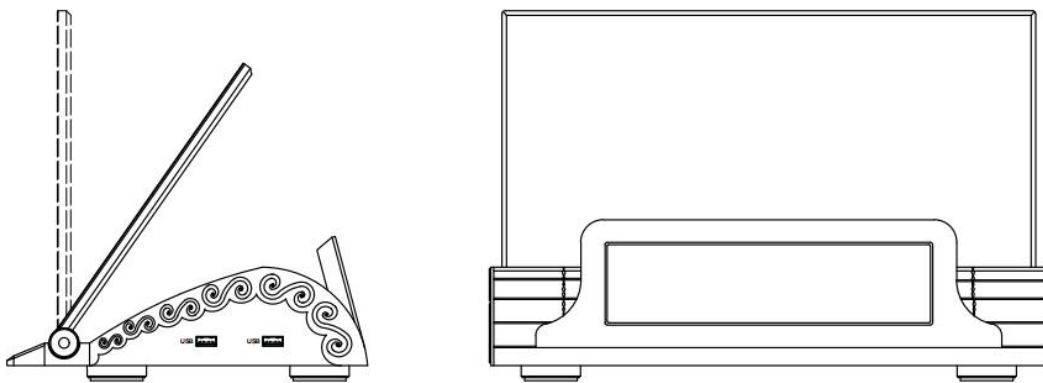


- ① RJ45 Network Interface
- ② DC12V Power Interface



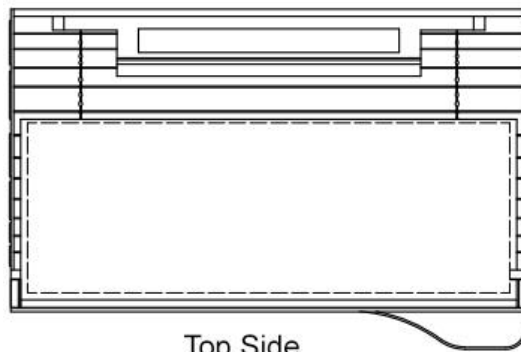
Left Side

Front Side

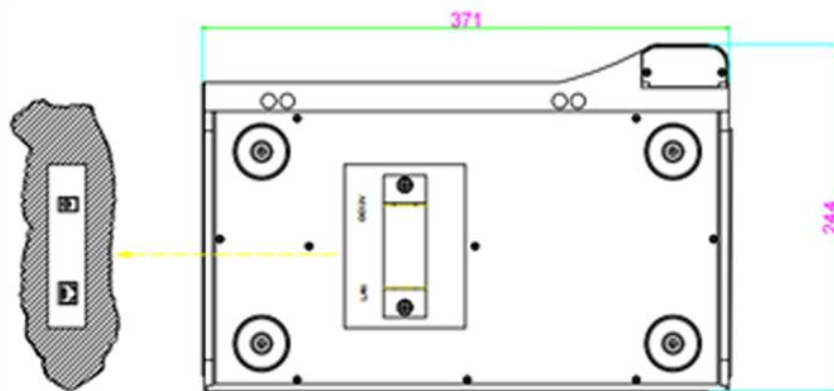


Right Side

Rear Side



Top Side



Bottom Side